



P/N 1-0607



P/N 1-0607

MPS Infrared Temperature Sensor

The MPS Infrared Temperature Sensor measures temperature via non-contact, and provides an analog output from 0-5VDC proportional to the measured temperature from 0 degrees F to 400 degrees F. Make sure the object that you are measuring is larger than the optical field of view. (Fig 3-1) **The sensor takes 1-2 minutes to warm up after power up.**



Calibration is 0 degrees F = 0 VDC and 400 degrees F = 5VDC.

- Red – 12-24 VDC positive
- Black – Ground (Negative)
- Shield – Ground
- White – 0-5 V Signal
- Green – Not used

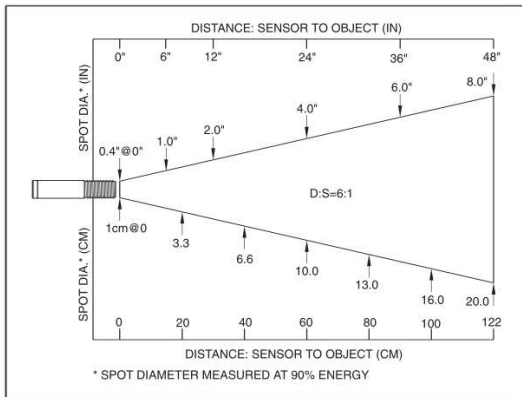
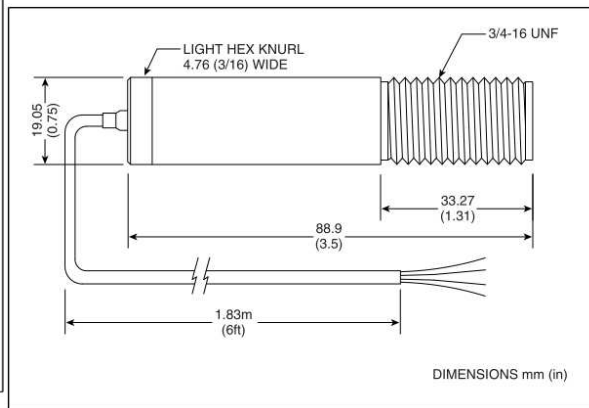


Figure 3-1. Optical Field of View



DIMENSIONS mm (in)

If you have any more questions we have a Frequently Asked Questions page at our web site as well as the telephone tech support. Thank you for your purchase of this MPS product. All products sold by MPS are for use at closed course competition events and not for use on public streets or highways.