

MPS Switch Swapper Horn/Shifter-Starter/NOS Installation Instructions

Hayabusa – ZX14 - ZX12R

The MPS Switch Swapper Horn/Shifter – Starter/NOS works on 99 and up Hayabusa, and ZX12Rs with both an air shifter and dry nitrous. With one flip of the switch turns the horn button into your shifter button and your starter button into the nitrous button.

The MPS Switch Swapper Horn/Shifter – Starter/NOS makes it quick and simple to wire your horn/shifter and starter/NOS switch.

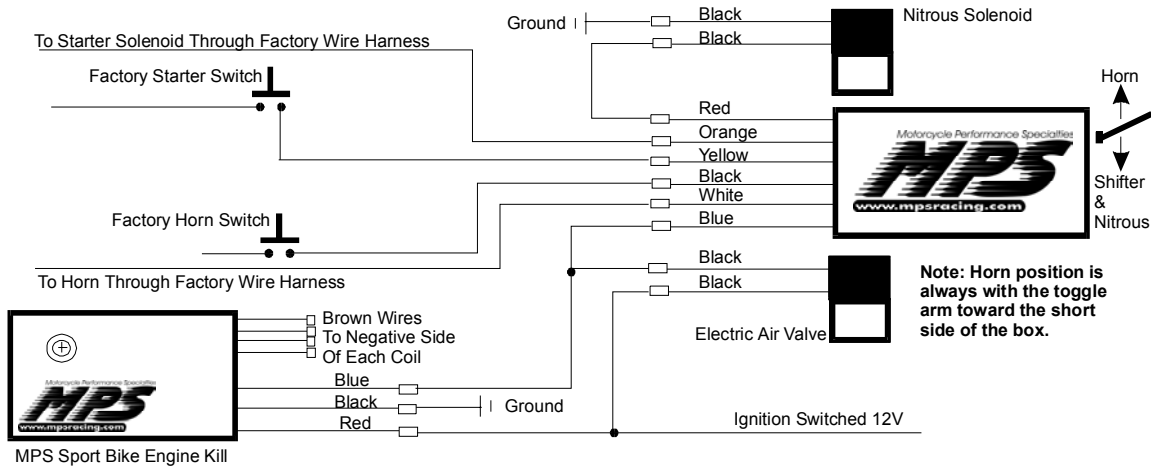


Mount The Switch Swapper Horn/Shifter – Starter/NOS - Find a convenient spot to mount the MPS Horn/Shifter – Starter/NOS Control switch box and secure it with the double sided tape.

Wire the Box

- Locate the harness coming out of your left handlebar switch pod.
- Carefully slice back the protective covering around the harness in a convenient spot. Locate the horn switch wire. Hayabusa will be the solid black wire. ZX12 will be a black wire with a white tracer.
- Cut this wire.
- **Black Wire** - Locate the end that runs to the switch and connect it to the black wire on the controller harness
- **White Wire** - Locate the end that goes toward the main wire harness and connect it to the white wire on the controller
- **Blue Wire** - Connect the blue wire to the blue wire on the MPS Sport Bike Electronic Engine Kill and the negative side of the electric air valve as shown in the wire diagram.
- Locate the harness coming out of your right handlebar switch pod.
- Carefully slice back the protective covering around the harness in a convenient spot. Locate the starter switch wire. Hayabusa will be a yellow wire with a green tracer. ZX12 will be a blue wire with a white tracer.
- Cut this wire.
- **Yellow Wire** - Locate the end that runs to the switch and connect it to the yellow wire on the controller harness
- **Orange Wire** - Locate the end that goes toward the main wire harness and connect it to the orange wire on the controller
- **Red Wire** - Connect the red wire to the nitrous solenoid positive as shown in the wire diagram.

Wiring Diagram



Factory Horn Switch Wire Colors

Hayabusa = Solid Black
 ZX12R = Black with White tracer

Factory Starter Switch Wire Colors

Hayabusa = Yellow with Green tracer
 ZX12R = Blue with White tracer

If you have any more questions we have a Frequently Asked Questions page at our web site as well as the telephone tech support. Thank you for your purchase of this MPS product. All products sold by MPS are for use at closed course competition events and not for use on public streets or highways.